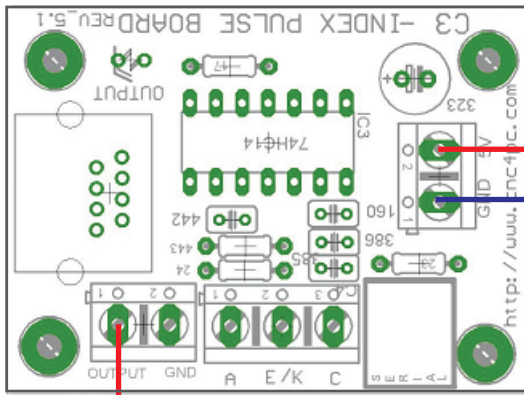
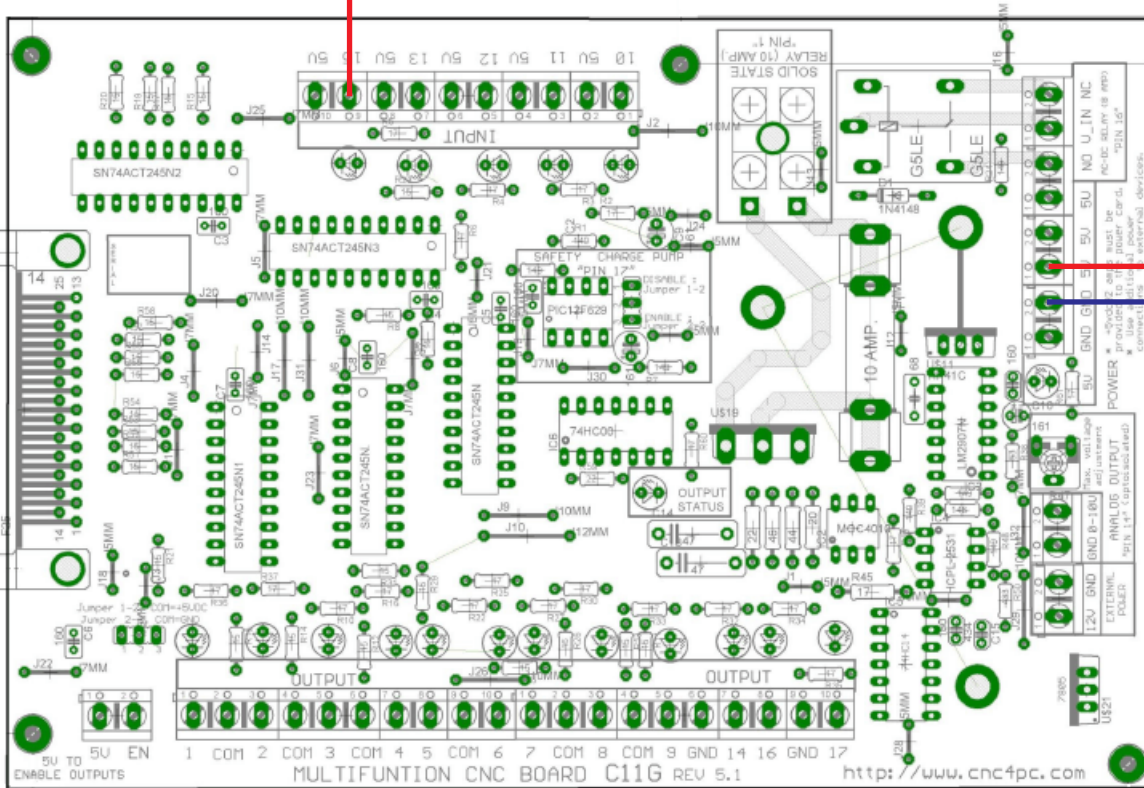


C3 Index Pulse Card



Use 5VDC PS
from C11G
to power the C3

Connect C3 Output
to any available
C11G Input
as Index Pulse



POWER SUPPLY
+5VDC
+0VDC

**C11G
Multifunction
CNC Board**

Wiring C3 to C11G