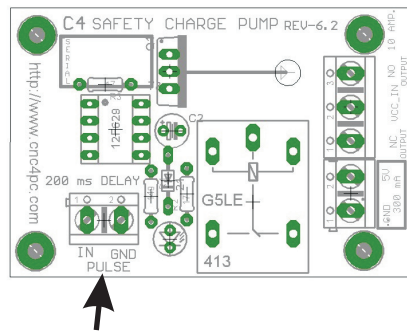


# SAFETY CHARGE PUMP BOARD WIRING GUIDE C4 REV6

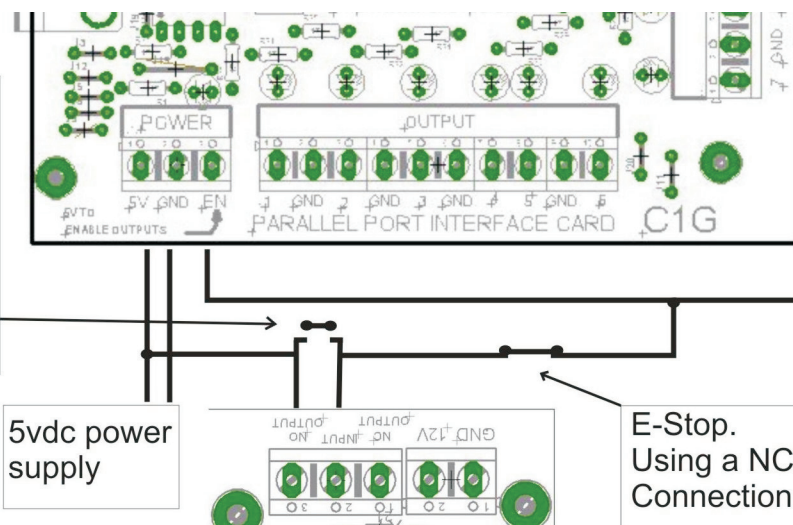


This is are the standard NO and NC of the relay.

A +5vdc power source must be provided to power the board.

Connect here the +3.3 or 5vdc TTL signal that is coming from your PC or breakout board.

## SAMPLE WIRING



To E-Stop input pin. (Pin10)

Use NO (Normally Open) Push-Button to temporary enable the enable the outputs so pin17 can deliver the 12.5khz signal to the Safety Charge Pump Board.

5vdc power supply

E-Stop. Using a NC Connection