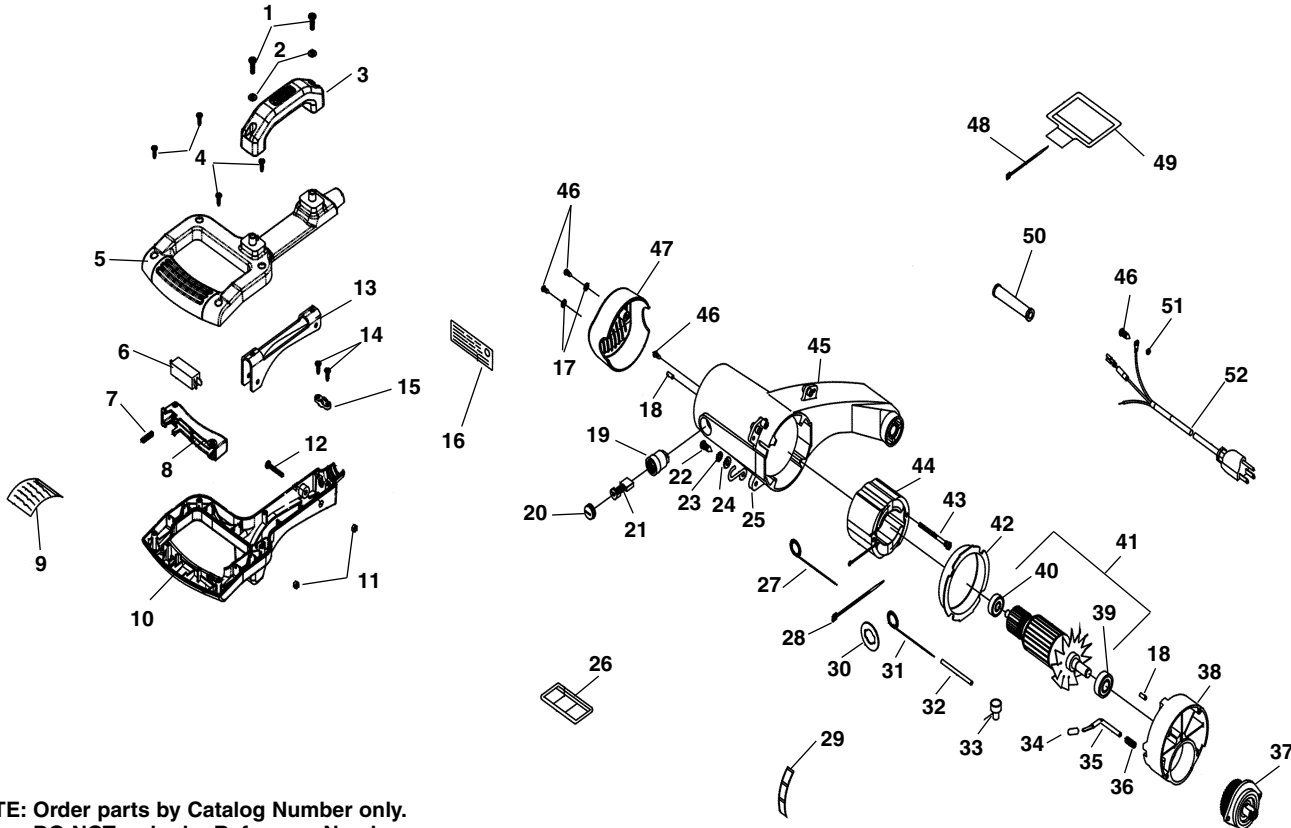


**NOTE: Order parts by Catalog Number only.
DO NOT order by Reference Number.**

Ref. No.	Catalog No.	Description	Ref. No.	Catalog No.	Description	Ref. No.	Catalog No.	Description
1	96122	Pad-Guard Lower Guard	20	96312	Wrench	39	86147	Pin Spring M6 x 32
2	96082	Guard Upper	21	96157	Washer	40	75167	Chain
3	96107	Screw Pan M5 x 60	22	96172	Lockwasher M5	41	87372	Screw Hex Hd.
4	82077	Spacer	23	79132	Screw Pan Hd. M5 x 0.8 - 12	42	82147	Nut Thread
5	82082	Flange Inner	24	82132	Shaft	43	82177	Support
6	82087	Outer Spacer	25	82162	Cover	44	78632	Ring Retaining
7	96232	O-Ring	26	96177	Nut Hex M5	45	96132	Washer M16.5
8	85232	Abrasive Wheel	27	96192	Nut Hex M8 x 1.25	46	96147	Fence Pivot Plate
9	82092	Flange Outer	28	96247	Lockwasher Helical M8	47	82127	Jaw Vice
10	96222	Screw Arbor	29	96202	Blade Guard	48	82122	Pin
11	96112	Locknut M6 x 1	30	96207	Pad Support	49	78642	Ring
12	96087	Washer Fiber	31	96162	Nut-Tee	50	96112	Lockwasher M10
13	96097	Shoulder Bolt	32	85337	Screw Pan Hd. M6 x 1 x 25	51	86142	Washer M10
14	96092	Lower Guard	33	96217	Lockwasher M6	52	96137	Screw Vise Pivot M10 x 1.5 - 65
15	96127	Protector	34	96212	Washer Flat M6	53	96152	Handle Assembly
16	82097	Spring	35	82137	Foot	54	96167	Support
17	85297	Screw	36	96197	Base	55	96187	Screw Hex Hd. M8 x 30 x 1.25
18	96182	Screw Soc. Hd. M8 x 1.25 - 15	37	78627	Screw w/Handle	56	86157	Hex Hd Screw M10 x 25 x 1.5
19	96242	Holder Tool	38	85377	Washer M8 x 16 x 0.5	57	96102	Motor Assembly

Electrical Components



NOTE: Order parts by Catalog Number only. DO NOT order by Reference Number.

Ref. No.	Catalog No.	Description	Ref. No.	Catalog No.	Description	Ref. No.	Catalog No.	Description
1	96297	Screw Pan Hd. M6 x 1 - 30	19	26868	Brush Holder	36	26863	Spring
2	96217	Lockwasher M6	20	82107	Brush Cap	37	26858	Shaft Assembly
3	96267	Carrying Handle	21	82102	Brush	38	26853	Gear Housing
4	96292	Screw Pan Hd. M4 x 1.4 - 16	22	89952	Screw Pan Hd 1/4" - 20 x 1"	39	26838	Bearing
5	96257	Handle Upper	23	96232	Lockwasher 1/4"	40	26833	Bearing
6	81167	Switch Spdt	24	11398	Washer 1/4" x 3/16" x 1/16"	41	26828	Armature Assembly
7	81137	Spring	25	82152	Chain Hook	42	26823	Baffle
8	96282	Switch Actuator	26	26923	Warning Label	43	26818	Field Screw
9	26933	Warning Label	27	26873	Jumper Wire	44	26813	Field
10	96262	Handle Lower	28	26883	Cable Tie	45	26808	Motor Housing
11	96277	Nut Hex M5 x 0.8	29	26908	Warning Label	46	96302	End Cover
12	96287	Screw Pan Hd. M5 x 0.8 - 37	30	26888	Fiber Plate	47	87442	Screw Pan Hd. M5 x 0.8 - 12
13	96272	Handle Hanger	31	26893	Jumper Wire	48	26928	Cable Tie
14	74907	Screw	32	26898	Sleeve	49	26913	Warning Label
15	78622	Cord Clamp	33	26903	Wire Nut	50	82112	Cord Guard
16	26918	Warning Label	34	26878	Knob	51	96252	Lockwasher Ext M5
17	96307	Lockwasher 5MM	35	26843	Plunger	52	82117	Cord w/Plug
18	26848	Rubber Pin						

Wiring

