

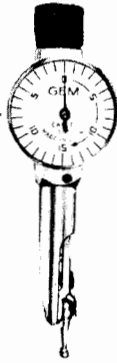


DIAL INDICATORS & ACCESSORIES

Range: .030 Grad: .001
Dial Dia: 15/16"

Model 222:

- No. 9 Contact Point
- No. 13-14-15 Body Clamp Assy.
- No. 18-19 Ball Shank Assy.



Model 225 also includes:

- No. 10 Contact Point
- No. 33 Contact Point
- No. 35 Universal Shank
- No. 36 Slide Adapter
- No. 45 Indicator Holder
- No. 515 Surface Gage Adapter

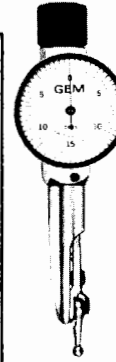
222 & 225

300-30 & 325-30

Range: .030 Grad: .0005
Dial Dia: 1-1/16"

Model 300-30:

- No. 9 Contact Point
- No. 13-14-15 Body Clamp Assy.
- No. 18-19 Ball Shank Assy.



Model 325-30 also includes:

- No. 10 Contact Point
- No. 33 Contact Point
- No. 35 Universal Shank
- No. 36 Slide Adapter
- No. 45 Indicator Holder
- No. 515 Surface Gage Adapter

Accessories

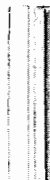


No. 515
Surface
Gage
Adapter



No. 45
Indicator
Holder with
3/8" Shank

No. 46
Same as
above with
1/2" Shank



No. 36
Slide Adapter
(for use with
No. 35 on 18"
and 24"
Height Gages)



No. 13-14-15
Body Clamp
Assembly



No. 35
Universal
Shank



No. 18
Ball Shank



No. 19
Ball
Joint
Nut

Range: .030 Grad: .001
Dial Dia: 15/16"

Model 250: Twin Dial:

- No. 9 Contact Point
- No. 13-14-15 Body Clamp Assy.
- No. 18-19 Ball Shank Assy.



Model 255 also includes:

- No. 10 Contact Point
- No. 33 Contact Point
- No. 35 Universal Shank
- No. 36 Slide Adapter
- No. 45 Indicator Holder
- No. 515 Surface Gage Adapter

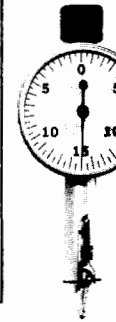
250 & 255

334-30 & 335-30

Range: .030 Grad: .0005
Dial Dia: 1-3/8"

Model 334-30:

- No. 9 Contact Point
- No. 13-14-15 Body Clamp Assy.
- No. 18-19 Ball Shank Assy.



Model 335-30 also includes:

- No. 10 Contact Point
- No. 33 Contact Point
- No. 35 Universal Shank
- No. 36 Slide Adapter
- No. 45 Indicator Holder
- No. 515 Surface Gage Adapter

Famous for accuracy, durability, adaptability and value. Most models furnished with Dovetail attachment.*
*Dovetails integral with housing give broad flexibility in mounting of instruments.



GEM INSTRUMENT COMPANY, INC.

2832 Nationwide Parkway, P.O. Box 830 • Brunswick, Ohio 44212-0830
PHONE: 330/273-6117 FAX: 330/273-4949

Accuracy

The accuracy of this tool has been determined by GEM standards which are traceable to the National Bureau of Standards, Washington, D.C.

GEM INSTRUMENT COMPANY

Brunswick, Ohio 44212

Chief Inspector

Positive, rigid holding power



Swivel Joints

- Any combination of 17 standard size holding diameters: Heavy-duty from 1/4" x 1/2" to 1" x 1" diameter. Medium-duty from 1/2" x 1/4" to 3/4" x 3/4" diameter.
- Special sizes available.
- Available in stainless steel for sanitary and corrosion resistant applications.

S-1	5/32x5/16	SH-9	3/8x3/8
S-2	1/4x5/16	SH-10	3/8x1/2
S-3	1/4x3/8	SH-11	1/2x1/2
S-4	1/4x1/4	SH-12	1/2x5/8
S-5	5/16x5/16	SH-13	5/8x5/8
S-6	5/16x3/8	SH-14	5/8x3/4
S-7	3/8x3/8	SH-15	3/4x3/4
S-8	3/8x1/2	SH-16	3/4x1"
		SH-17	1"x1"

Contact Points

Style	Number		Dia.	Used On
	Steel	Carbide		
	9	C9	.109	222, 225, 250, 255, 300-30 & 325-30, 334-30, 335-30
	10	C10	.032	(Same as above)
	10A	C10A	.062	(Same as above)
	30		.045	(Same as above)
	33		.045	(Same as above)
	9D	C9D	.109	707, 747, 222M and 222M5

Indicator Caliper

Model 750:

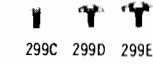
- Used for Gaging:
- "O" Ring Grooves – Snap Ring Grooves – Blind Bores
 - Thread relief and undercuts
 - Bell mounted, out of round and Tapered Boxes
 - Internal Splines – (with special points)



Includes:
 Gem. Indicator Bore Gage.
 Range: .030
 Graduations: .001
 (Also available with .0005 graduation or metric .1mm graduation indicator.)
 4-pairs of points and 8 extensions.
 Range: .200 to 6.000



Model 399
 (Balanced dial: 0-.050-0)
 Accepts direct reading hole attachment

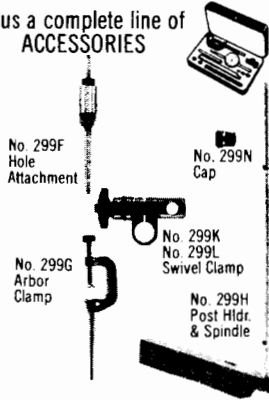


STANDARD 299B & 399B

Includes three contact points.

Model	Range/Dial Type	Graduations	Accessories
299B	200 (in two revolutions) Continuous: 0-.100	.001	Three Contact Points
299A*	200 (in two revolutions) Continuous: 0-.100	.001	Model 299 plus all above accessories in case.
399B	200 (in two revolutions) Balanced: 0-.050-0	.001	Three Contact Points
399A*	200 (in two revolutions) Balanced: 0-.050-0	.001	Model 399 plus all above accessories in case.

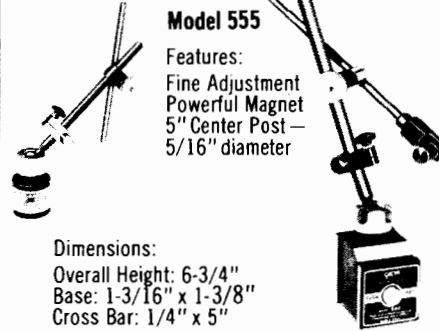
plus a complete line of ACCESSORIES



Magnetic Bases

Model 555

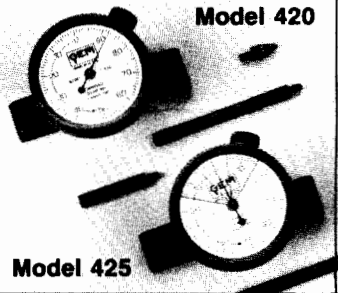
- Features:
 Fine Adjustment
 Powerful Magnet
 5" Center Post – 5/16" diameter



Dimensions:
 Overall Height: 6-3/4"
 Base: 1-3/16" x 1-3/8"
 Cross Bar: 1/4" x 5"

Model 500 Model 500 FA (with fine adjustment post)

- Features:
 Easy On/Off Push button
 Four ground surfaces to grip including V slot for round surfaces.
 3/8" dia. Center Post for rigid mounting of Dial Indicators.
 Cross Bar also accepts AGD (lug back) indicators.
 Dimensions:
 Overall Height: 9-1/2"
 Base: 1-7/8" x 1-7/8" x 1-5/8"
 Cross Bar: 1/4" x 7"



Model 420

Model 425

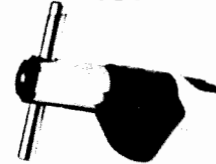
Gem Instrument's new Easy-Check Depth Gauge is so easy to use, you'll wonder why somebody didn't introduce it sooner. Featuring an exclusive "top-view" dial, the gauge allows quicker, easier visual checks than any other model on the market today.

Easy-Check gives you precise, direct-reading measurements of standard sized hole depths of zero to six inches. Gem's Easy-Check is the ideal instrument for measuring hole depths, as well as flatness, counterbores and grooves. Larger sized holes can be accommodated by simply adding one-, two- or three-inch extensions.

For more information on the rugged, compact Easy-Check Depth Gauge, compact Easy-Check Depth Gauge, contact your Gem distributor.

Easy-Check to gauge blocks for accurate readings

Swivel Clamps
 features easy-grip T-handles



Model ST

ST-1	5/32 x 5/16
ST-2	1/4 x 5/16
ST-3	1/4 x 3/8
ST-4	1/4 x 1/4
ST-5	5/16 x 5/16
ST-6	5/16 x 3/8
ST-7	3/8 x 3/8
ST-8	3/8 x 1/2

LIMITED WARRANTY

This GEM Instrument is warranted to be free of manufacturing defects for 90 days. This instrument will be adjusted or replaced, free of charge, if instrument is accompanied by receipt of purchase and returned within 90 days of purchase to GEM Instrument Company, P.O. Box 830, 2832 Nationwide Parkway, Brunswick, Ohio 44212.

If you wish to know more about other GEM Dial Indicators and Accessories ask your dealer for a complete GEM Catalog.

ATTENTION

Keep free from oil, dust, acid and moisture.

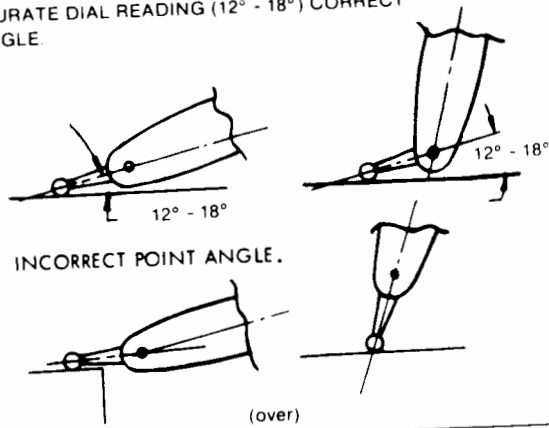
The switch lever on the side of the indicator must be in the extreme position, either one way or the other, depending on which way the indicator is being used.

Above does not apply to Twin Dial or 299 and 399 models.

Do not tamper with the instrument. If it does not function properly, send it to the factory for adjustment.

THE GEM INSTRUMENT COMPANY

FOR ACCURATE DIAL READING (12° - 18°) CORRECT
POINT ANGLE.



NOTE: For maximum reading and accuracy mounting of Indicator
with accessories must be rigid.

On all Gem Indicators - contact points must be properly
seated in serrations and tight.

Gem Instrument Co.

Brunswick, Ohio 44212