

Handy Pulser

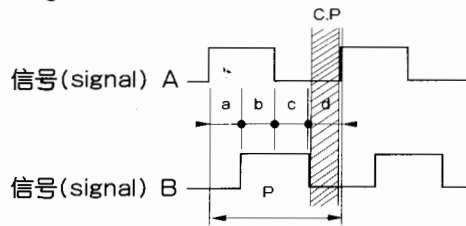
- ① 造型新颖, 移动方便, 抗干扰, 带载能力强。
The original sculpt, move to easy, anti-interfereneial, the high load.
- ② 具备 $\times 1, \times 10, \times 100$ 三档倍率, 可实现4轴坐标切换。
 $\times 1, \times 10, \times 100$ and can switch to four multipes.
- ③ 备有控制开关、急停开关可选, 人性化设计, 便于操作。
It have the imperatiye switch ,the design is fit to user. So operating to easy.
- ④ 产品广泛用于数控机床, 印刷机械等数控设备。
The products are used in numerical conerol tool,printing machine and so on.

ISMM1468Series



输出波形与信号位置精度 Export the wave form and position recision of the signal

90° 相位差两信号与零位信号。从轴端看, 顺时针旋转(CW)时的波形图。Dual square wave in quadrature with index signal. This figure shous the waveforms when a shaft is rotated clockwise(CW) viewing encoder shaft.



P 脉冲周期(pulse cyc) 100P/R
a,b,c,d=0.25 ± 0.125P
C.P发声点位置 (soniferous point)

技术参数 Technical Parameter

参数 Parameter	型号 type	E1	E2	L
电源电压 Power voltage		DC12V ± 0.5V	DC5V ± 0.25V	DC5 ± 0.25V
消耗电流 Wasting current		60mA以下	80mA以下	150mA以下
输出 Output	H	> 85% Vcc		2.5V以上
信号 Signal	L	0.5V以下		
最大灌入电流 Max input current		20mA		
信号上升下降时间 Up-down time of signal		1μS以下	200nS以下	
响应频率 Frequency res torque		5KHz		
启动力矩 Starting forque		$2 \times 10^{-2} \sim 6 \times 10^{-2} \text{N} \cdot \text{m}$		
轴最大负荷 Max allowable load		径向Axial direction 20N		轴向Axial direction 10N
正常机械转速 Slew speed		$\leq 200 \text{r}/\text{min}$		
工作温度 Operating temp		$-10^{\circ}\text{C} \sim 70^{\circ}\text{C}$		
储存温度 Storage temp		$-30^{\circ}\text{C} \sim 85^{\circ}\text{C}$		
工作湿度 Operating humidity		30 ~ 58% (无结露unfrosted)		
抗震动 Vibration resistance		$50 \text{m}/\text{s}^2, 10 \sim 200 \text{Hz}$ XYZ方向各两小时2hrs each in XYZ directions		
抗冲击 Shock resistance		$980 \text{m}/\text{s}^2, 6 \text{ms}$ XYZ方向各2次2 times each in XYZ directions		
重量 Weight		0.65kg		

接线图 Connection specifications

序号 No.	线色 lead's colour	信号 signal	项目 item
1	红 Red	+5V	脉冲发生器 Pulse genesic machine
2	黑 Black	OV	
3	绿 Green	A	
4	白 White	B	用户选用L型驱动器时 While the user choose the type L driver
3☆	紫 Purple	A	
4☆	紫/黑 Purple/Black	B	指示灯 Show lamp
5	绿/黑 Green/Black	+	
6	白/黑 White/Black	-	
		OFF	选择坐标轴 Choose the coordinates
7	黄 Yellow	X	
8	黄/黑 Yellow/Black	Y	
9	棕 Brown	Z	
10	棕/黑 Brown/Black	4	用户需增加5.6坐标时 While the user must be add 5.6 coordinate
9☆	粉 Pink	5	
10☆	粉/黑 Pink/Black	6	
		× 1	选择放大倍数 Amplificatory multiple
11	灰 Gray		
12	灰/黑 Gray/Black	× 10	
13	橙 Orange	× 100	控制开关 Control switch
14	橙/黑 Orange/Black	COM	
	橙 Orange	控制开关——波段开关公共端 the another port control the switch of wave bark of the public port	
15	浅蓝 Cam Bridge Blue	C	急停开关 Imperative switch
16	浅蓝/黑 Cam bridge Blue/Black	CN	
17	红/黑 Red/Black		备用 Standby
			屏蔽线 N.C.

注: 实际接线以编码器的标牌为准。
Note: Real connection should be obeyed to encoder's mark.

选项开关(K₁, K₂)电气参数 Option switch paramter

开关容量 switch capability	0.4VA	最大电压 max voltage	25V
电流范围 the range of current	0.1~50mA		

急停开关(S₂)电气参数 Emergency stop switch paramter

触点※ tangent point	交流电时最大负荷 max load of AC	AC220V0.5A
	直流电时最大负荷 max load of DC	DC30V1A

控制开关(S₂)电气参数 Control switch paramter

触点※ tangent point	交流电时最大负荷 max load of AC	AC220V0.5A
	直流电时最大负荷 max load of DC	DC24V1A

※最小适用负载 DC 5V 1mA
The min load DC 5V 1mA

型号说明(The type proves)

ISMM1468	—	01	G	100	B	—	5	L
产品型号 Model		型号扩展 Extend the type	电缆 Cable	输出脉冲数 Number of output pulses	电源电压 Supply voltage		输出方式 Output	

HEDSS

- ① 型式举例: 电缆侧出, 100p/r, DC5V电源, 驱动器AM26LS31输出。

An example of model: Side entry cable, 100p/r, Supply voltage DC5V, Drive element AM26LS31 output.

记为(record for): ISMM1468-01G100B-5L

- ① 产品选型: 详见产品综合样本。

The type that selects products: See the products for details and synthesize samples.

安装使用及注意事项 Install using and points for attention:

- ① 光电轴角编码器属于高精度仪器, 安装时严禁敲击和摔打碰撞, 安装或使用不当会影响编码器的性能和使用寿命。

The angle encoder of axle of photoelectricity belongs to the instrument of high accuracy, forbid beating and beating colliding at the time of installation, Installation or unwise use of the performance and life-span that will influence the encoder.

- ① 安装时注意其容许的轴负载, 不得超过极限负载。

Pay attention to its load of axle allowing at the time of installation, can't exceed the limit load.

- ① 注意不要超过极限转速, 如超过极限转速时, 电信号可能会丢失。编码器正常工作时的极限转速 $N_{max} = \frac{60 \times 100 \times 10^3}{L}$ r/min (L为光栅刻线数)

Pay attention not exceeding the rotational speed of limit, may be lost such as the telecommunications number while exceeding the rotational speed of limit. The rotational speed of limit at the time of the normal work of the encoder, $N_{max} = \frac{60 \times 100 \times 10^3}{L}$ r/min (L: Carves the line to count for the grating)

- ① 接线务必正确, 错误接线会导致内部电路损坏。

It must be correct to wire, wrong wiring will lead to the fact that the inside circuit will be damaged.

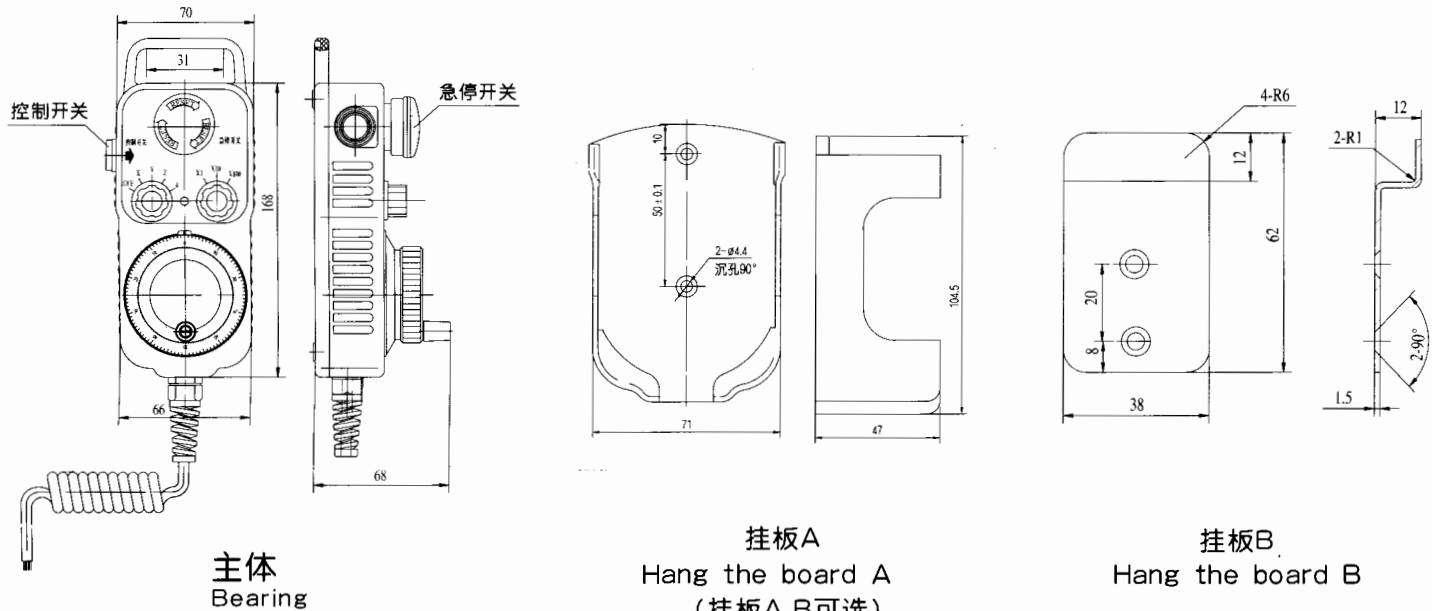
- ① 请不要将编码器的输出线与动力线等绕在一起或同一管道传输, 也不宜在配线盘附近使用, 以防干扰。

Please have been don't have been at encoder and power line and so on. Wind output line together or the same pipeline transmitting. Should not either be mixing a record of nearby of the line to use, so as not to interaction.

注意: 安装或使用不当会影响编码器的性能和使用寿命。

Be careful: installation or unwise use of the performance and service life of influencing the encoder.

安装尺寸图: Install the size:(unit:mm)



主体
Bearing

挂板A
Hang the board A
(挂板A,B可选)

(Hang the board A and B can choose)

挂板B
Hang the board B

型号扩展序号01, 有急停开关和控制开关 Patulous No.01 of type,with Emergency stop and enable switches.

型号扩展序号02, 有急停开关 Patulous No.02 of type,with an Emergency stop switch.

型号扩展序号03, 有控制开关 Patulous No.03 of type,with an Enable switch.

型号扩展序号04, 无急停开关和控制开关 Patulous No.04 of type,without Emergency stop and Enable switches.