

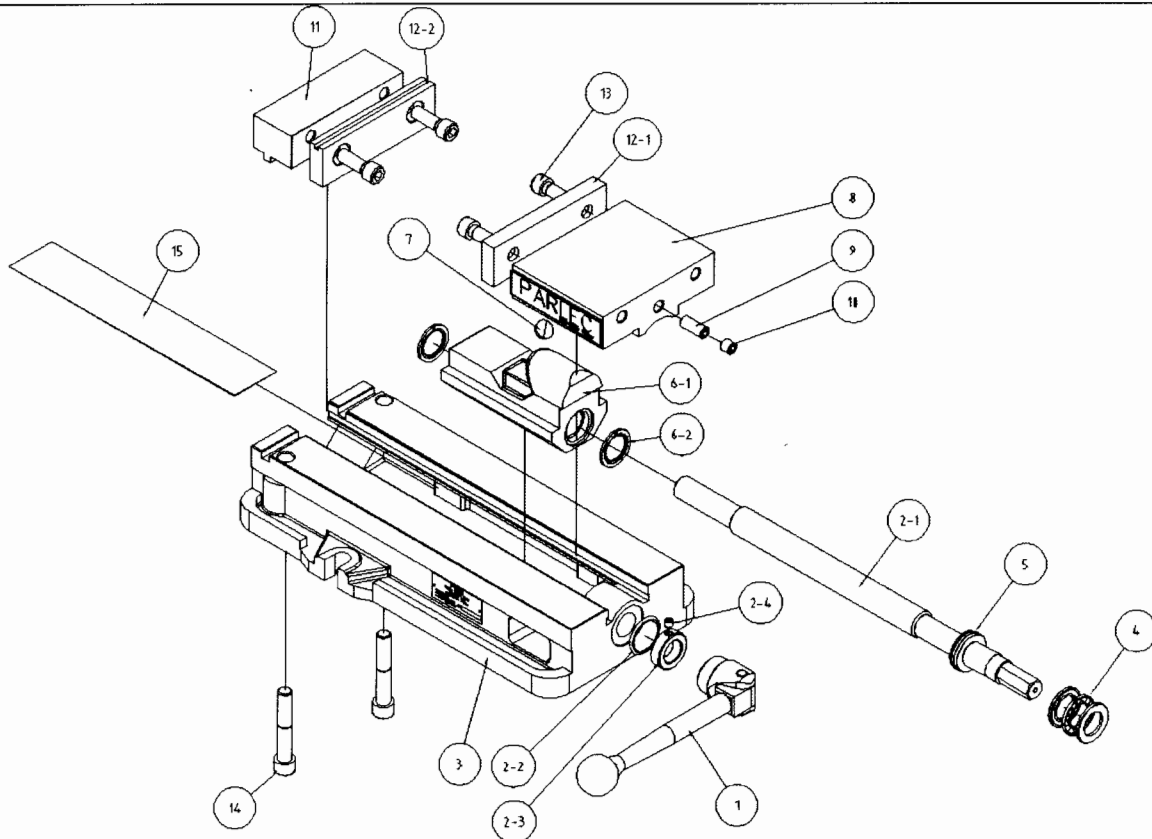
PARLEC

Measurably Better

Single Station Vice

PWS-6900

PARTS LIST AND ASSEMBLY INSTRUCTIONS FOR YOUR MACHINE VISE:



Item	Description	Qty	Name	Item	Description	Qty	Name
1	HANDLE ASSEMBLY - 3/4"	1	PWS6900-HANDLE	6-1	WISE NUT	1	ORDER KIT #PWS6900-006
1-1	HANDLE SOCKET	1	ORDER KIT #PWS6900-HANDLE	6-2	BRUSH	2	ORDER KIT #PWS6900-006
1-2	HANDLE BAR	1	ORDER KIT #PWS6900-HANDLE	7	SEMI-SPHERE SEGMENT	1	PWS6900-007
1-3	SPRING HOLDER	1	ORDER KIT #PWS6900-HANDLE	8	MOVABLE JAW	1	PWS6900-008
2	MAIN SCREW ASSEMBLY	1	PWS6900-002	9	SET SCREW	1	PWS6900-009
2-1	MAIN SCREW	1	ORDER KIT #PWS6900-002	10	SET SCREW, LOCKING	1	PWS6900-010
2-2	COLLAR SPRING	1	ORDER KIT #PWS6900-002	11	FIXED JAW	1	PWS6900-011
2-3	COLLAR	1	ORDER KIT #PWS6900-002	12	JAW ASSEMBLY	1	PWS6900-JAWSET
2-4	COLLAR SET SCREW	1	ORDER KIT #PWS6900-002	12-1	FRONT JAW	1	ORDER KIT #PWS6900-JAWSET
3	BDDY	1	PWS6900-003	12-2	REAR FIXED JAW	1	ORDER KIT #PWS6900-JAWSET
4	BEARING ASSEMBLY	1	PWS6900-004	13	SOFT JAW BOLT	4	PWS6900-013
5	O-RING	1	PWS6900-005	14	FIXED JAW BOLT	2	PWS6900-014
6	WISE NUT ASSEMBLY	1	PWS6900-006	15	SLIDE COVER	1	PWS6900-015

Parlec World Headquarters

101 Perinton Parkway • Fairport, New York 14450 • United States of America

Phone: (585) 425-4400 or (800) TOOL-USA • Fax: (585) 425-7542

Web: www.parlec.com • Email: sales@parlec.com

Please call or visit our website at www.parlec.com
for a complete list of PWS-6900 Vise Accessories.

10 Year - Limited Warranty

Parlec warrants that this workholding vise will be free from defects in material and/or workmanship for a period of TEN (10) years from the date of purchase to the original user. Failure to properly maintain and/or properly operate this product under normal conditions as per manufactures specifications will void this warranty. Normal wear items (Example: O-Rings) are not included in this warranty. Please contact Parlec at (585) 425-4400 or visit www.parlec.com to review the manufacturers specifications for this vise. Parlec will correct any such defects in material or workmanship by repair or replacement of the product F.O.B. Fairport, NY.

Should the vise need to be returned to Parlec the customer must notify their Dealer where the vise was purchased or Parlec in advance and obtain a return goods authorization (RGA) number prior to shipment. The RGA number must be clearly listed on the outside of the packaging with freight prepaid. Failure to properly maintain and/or properly operate this product under normal conditions or the use of this vise with third party components will void this warranty.

THIS LIMITED WARRANTY IS EXPRESSED IN LIEU OF ANY AND ALL REPRESENTATIONS AND WARRANTIES, EXPRESSED OR IMPLIED, INCLUDING ANY IMPLIED WARRANTY OF MERCHANTABILITY OR FITNESS FOR A PARTICULAR PURPOSE WHETHER ARISING FROM STATUE, COMMON LAW, OR OTHERWISE. THE REPAIR OR REPLACEMENT OF A DEFECTIVE PRODUCT IS THE PURCHASERS SOLE AND EXCLUSIVE REMEDY. PARLEC IS NOT BOUND TO ANY REPRESENTATION OR WARRANTY OTHER THAN THE CONDITIONS LISTED IN THIS WARRANTY STATEMENT. PARLEC SHALL NOT BE LIABLE FOR INCIDENTAL OR CONSEQUENTIAL DAMAGES RESULTING FROM THE USE OF OUR PRODUCTS OR CUASED BY ANY DEFECT, FAILURE OR MALFUNCATION OF ANY PRODUCT WHETER A CLAIM FOR SUCH DAMAGES IS BASED UPON WARRANTY, CONTRACT, NEGLIGENCE, OR OTHERWISE.

PLEASE REGISTER YOUR VISE BY FILLING OUT THE ATTACHED WARRANTY CARD OR BY REGISTERING AT www.parlec.com TO ENSURE THAT WE HAVE A RECORD OF YOUR WORKHOLDING PURCHASE AND AVOID ANY DELAYS IN PROCESSING YOUR WARRANTY CLAIM.

PWS6900 Quality Features

#	Item	Maximum Tolerance
1	Bed Height	2.875" +/- 0.0005"
2	Parallelism of Vise Base To Bed.	0.0006"
3	Perpendicularity of Jaws To Vise Bed.	0.0005"
4	Flatness of Base.	0.001"