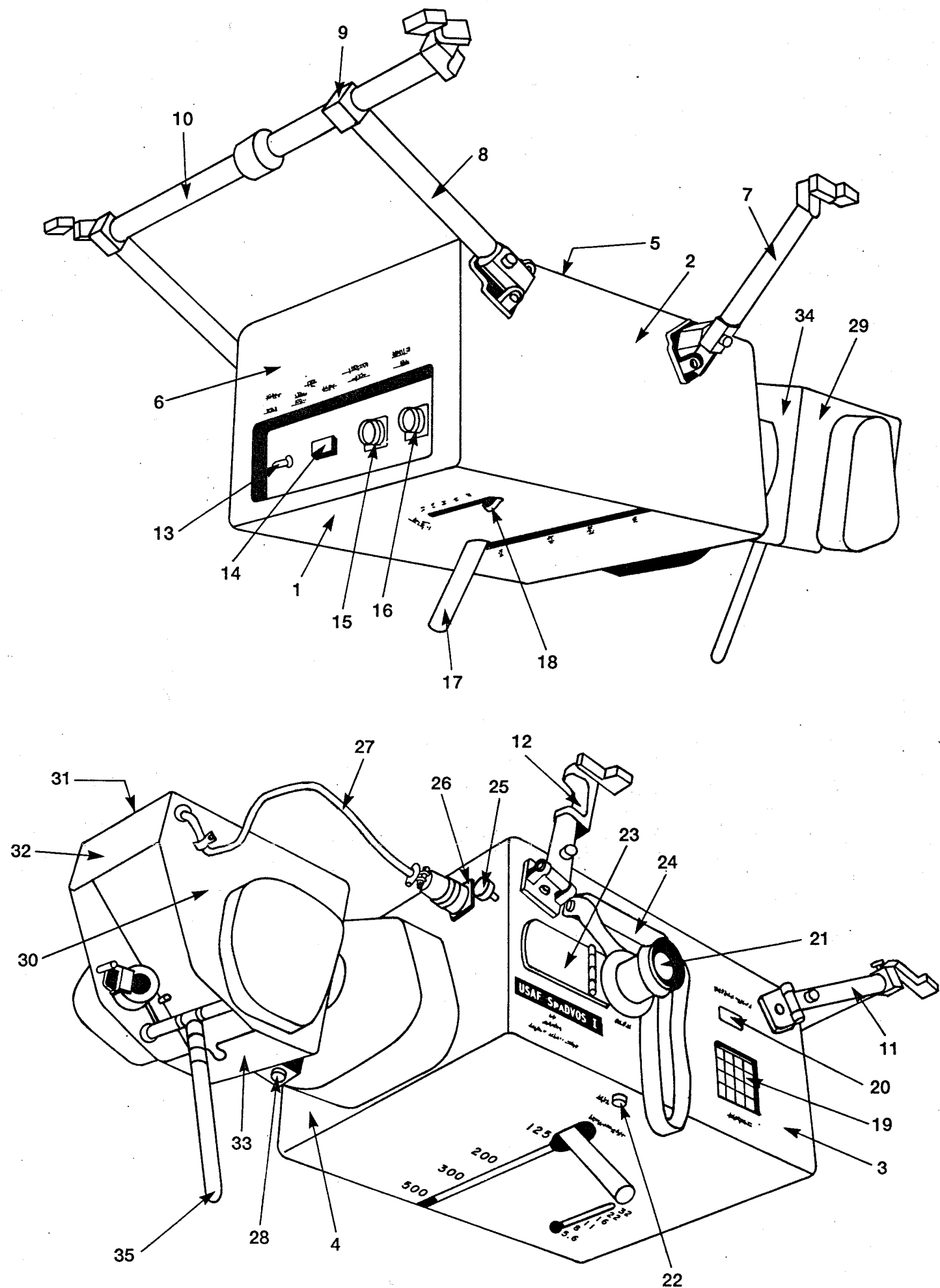


SPADVOS I TOP LEVEL ASSEMBLY DRAWING

Drawing No. A-0

2-April-90



No.	Part Name	Part No.	Drawing No.	No.	Part Name	Part No.	Drawing No.
1	Cover Panel	101	A3, D30	19	Data Entry Keypad	*	p. II-49
2	Electronic Board Holder Panel	102	A6, A7, D31	20	Liquid Crystal Display	*	p. II-49
3	Eyepiece Holder Panel	103	A8, D32	21	Eyepiece	*	p. II-17
4	Front Plate	104	A4, A5, D33	22	Eyepiece Locking Nut	129	A3
5	Base Plate	105	A10, D34	23	Eyepiece Receptacle Cover	150	A8
6	Connector Panel	106	A2, D35	24	Headrest	137	A8, D49
7	Starboard Aft Window Attachment	832	A27	25	Headrest Locking Nut	140	A4, D44
8	Port Aft Window Attachment	830	A26	26	Mirror Encoder Connector	160	A4
9	Aft Cross-Tube Section	834	A28	27	Mirror Encoder Cable		
10	Forward Cross-Tube Section	845	A29	28	Tracking Mirror Assembly Locking Nut	236	A23, D60
11	Port Forward Window Attachment	831	A26	29	Shroud Encoder Plate	201	A21, D50
12	Starboard Forward Window Attachment	833	A27	30	Shroud Gear Plate	202	A22, D51
13	Locking Power Switch	151	A2	31	Shroud Window Plate	203	A23, D52
14	Fuse Holder	152	A2	32	Shroud Face Plate	204	A23, D52
15	Power Cable Connector	153	A2	33	Shroud Top Plate	205	A23, D53
16	Video Cable Connector	154	A2	34	Shroud Bearing Mount Panel	206	A23, D53
17	Zoom Adjustment Lever	731	A10, A12	35	Tracking Mirror Steering Handle	242	A20
18	F-Stop Adjustment Lever	730	A10, A13				

*Refer to UDR-TR-89-52 Volume II