




## 简体中文


### 注意事项:


感谢您选择百诺品牌。在使用百诺产品之前, 请您仔细阅读此注意事项, 以避免任何意外损失。


 使用此产品时, 请不要超过规定的最大承重。


 使用此产品时, 时常确认产品各项紧装置是处于锁紧的安全状态, 避免意外损坏相机。


 请勿在零下20度或高于零上70度的温度下使用本产品, 不推荐在海水中使用本产品。

 请勿长时间将产品放置在太阳下, 避免长时间将产品放置在高温下, 例如靠近汽车玻璃数小时。

 在公共场所使用本产品时, 请勿离人, 避免小孩靠近, 造成意外伤害。在危险的地方使用时, 请谨慎操作。

 禁止搭载设备(相机)等一起携带移动。


 在潮湿, 泥沙, 风尘等环境中使用过后, 一定要用干布将锁紧螺母, 和可能藏有泥沙的部分清除干净, 可使用无水酒精, 消毒酒精, 清洁剂等擦洗。


 为了人身安全, 在使用本产品时, 请勿靠近高压区域, 或与强效化学接触。


## 繁體中文


### 注意事项:


感谢您选择百诺品牌。在使用百诺产品之前, 请您仔细阅读此注意事项, 以避免任何意外损失。


 使用此产品时, 请不要超过规定的最大承重。


 使用此产品时, 时常确认产品各项紧装置是处于锁紧的安全状态, 避免意外损坏相机。


 请勿在零下20度或高于零上70度的温度下使用本产品, 不推荐在海水中使用本产品。

 请勿长时间将产品放置在太阳下, 避免长时间将产品放置在高温下, 例如靠近汽车玻璃数小时。

 在公共场所使用本产品时, 请勿离人, 避免小孩靠近, 造成意外伤害。在危险的地方使用时, 请谨慎操作。

 禁止搭载设备(相机)等一起携带移动。


 在潮湿, 泥沙, 风尘等环境中使用过后, 一定要用干布将锁紧螺母, 和可能藏有泥沙的部分清除干净, 可使用无水酒精, 消毒酒精, 清洁剂等擦洗。


 为了人身安全, 在使用本产品时, 请勿靠近高压区域, 或与强效化学接触。

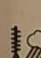
## English


### User Notice:


Thank you for choosing Benro. Please read this general instruction sheet before using, to avoid any accidental damage.


 Do not exceed the load capacity of this products, (see the specifications)

 Always ensure the locks and devices are in safety condition to avoid accidental damage of the camera and other equipment.


 Do not use the product at temperature less than -20°C or more than +70°C. It is not recommended to use in seawater.

 Avoid leaving the product in high temperature, e.g. in the sun for long time or in a car near the car window for hours.

 Ensure keeping the product out of reach of children when working at the public place in case any accidental hurt. Use it carefully in dangerous place.

 Remove the equipment from the products during transportation.

 After using in the wet, dusty, sandy, windy days, it is recommended to clean and dry the hand with soft cloth. The dirt, dust, and sand in all leg locks, threads, should be removed after use. Clean with mild detergent or alcohol.

 For your own safety, don't let this products near any electrical power source and chemical substances.

### 保修范围

您所使用的百诺产品是经过精密加工, 多项严密质量检测, 所有功能严格测试才完整包装出厂的。所有材料或者工艺方面的瑕疵, 可以在您所购买的区域免费维修或者更换。详细的质量保修可以联系您所在地的经销商。所有人为原因所造成的产品损坏不在保修范围内, 例如: 错误操作, 严重摔落, 或者电池漏液体损坏。

### 保修範圍

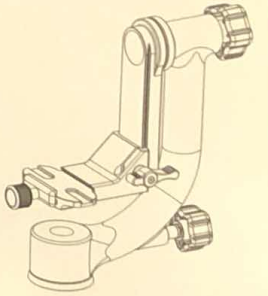
您所使用的百諾產品是經過精密加工, 多項嚴密質量檢測, 所有功能嚴格測試才完整包裝出廠的。所有材料或者工藝方面的瑕疵, 可以在您所購買的區域免費維修或者更換。詳細的質量保修可以聯繫您所在地的經銷商。所有人為原因所造成的產品損壞不在保修範圍內, 例如: 錯誤操作, 嚴重摔落, 或者電池漏電液體損壞。

### LIMITED WARRANTY COVERAGE

Your Benro product has been carefully manufactured, has passed many quality assurance checks and has been thoroughly tested before shipment. It is warranted in the country from which you purchased it based on the date of purchase to the original owner, against defects in materials and workmanship. Please contact your local Benro dealer for further information and details about your warranty. The Warranty does not apply to damages caused by mishandling, dropping, or leaking batteries, nor modification or servicing performed by others.

# BENRO

## INSTRUCTIONS BENRO PROFESSIONAL GIMBAL HEAD



说明书  
百诺悬臂云台系列

GH 悬臂云台系列

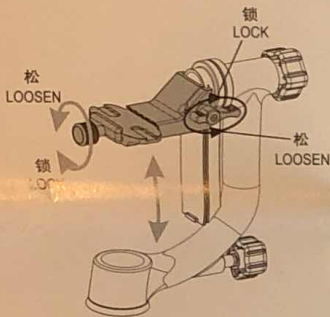
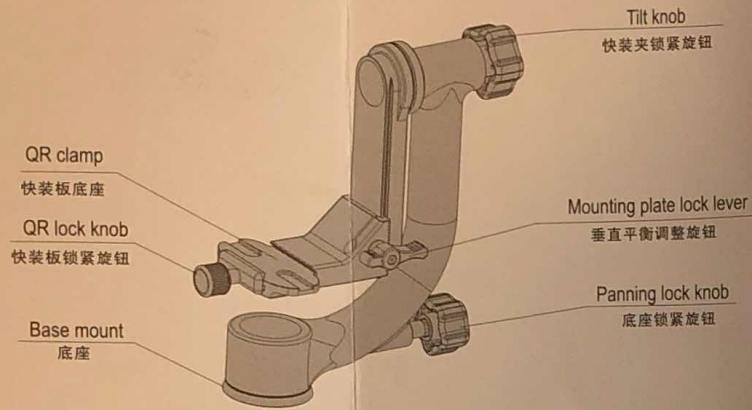
GH SERIES

地址: 广东省中山市坦洲镇第三工业区火炬路59号  
邮编: 528467  
电话: 0760-86738666  
传真: 0760-86211711  
Http: www.benro.com www.benro.cn  
Email: sales@benro.com  
Benro Precision Industrial Co., Ltd  
Tel: 86-760-86738666  
Fax: 86-760-86211711  
Web: www.benro.com www.benro.cn  
Email: sales@benro.com

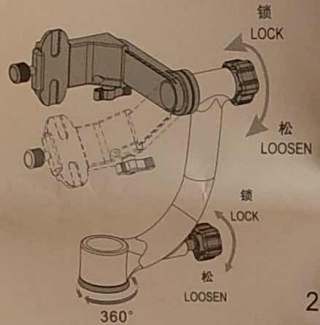
中山市百诺精工有限公司

BENRO





1



2

### 使用方法:

注意:锁紧快装板时必须扶住镜头

#### 图一:快装板上下位移

可以通过调整垂直平衡调整旋钮来实现快装夹的上下位移(最大位移为110MM)。逆时针方向锁紧垂直平衡调整旋钮可调节上下的位移,顺时针方向锁紧垂直平衡调整旋钮为固定上下位移。

#### 图二:快装夹锁紧旋钮

在垂直平衡调整旋钮固定时,逆时针松开快装夹锁紧旋钮,可使快装系统实现空间上的360°旋转,顺时针为固定快装系统位置。

底座锁紧旋钮可调整底座的360°旋转,逆时针为松开底座,顺时针为锁紧底座。

### SET UP:

Note :You must lift up on the lens while tightening the quick release.

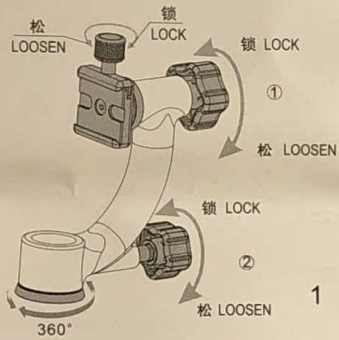
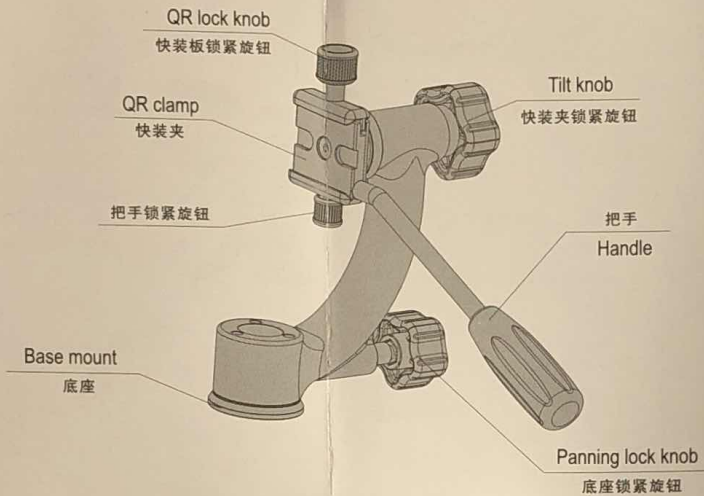
#### The vertical balance adjustment lever (P.1)

The quick release clamp of GH-2 could be moved up or down through adjusting the vertical balance adjustment lever (the max displacement is 110mm). Adjusting the upper pivot bearing lock knob in counter-clockwise direction or down displacement by locking the vertical balance adjustment lever in counter-clockwise direction while tighten the lock knob in clockwise direction is to fix the displacement.

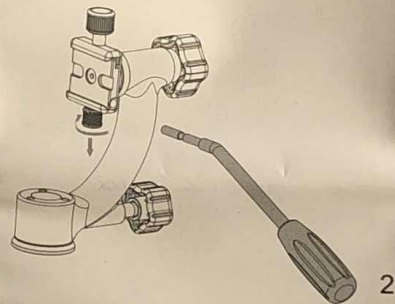
#### Tilt knob (P.2)

When the mounting plate lock lever is locked, The quick release system could be adjustable for 360° by loosening the upper pivot bearing lock knob in counter-clockwise direction. Lock the quick release system by locking the tilt knob in clockwise direction.

The base mount could be rotated 360 degree by loosening the panning lock knob in counter-clockwise direction. While locking the base mount by locking the panning lock knob in clockwise direction.



1



2

### 使用方法:

注意:锁紧快装板时必须扶住镜头

#### 图一①:快装夹锁紧旋钮的作用

快装夹锁紧旋钮可调整快装夹在垂直方向的360°旋转,顺时针为锁紧GH1P快装夹,逆时针为松开GH1P快装夹。

#### 图一②:底座锁紧旋钮

底座锁紧旋钮可调整底座的360°旋转,逆时针为松开底座,顺时针为锁紧底座。

#### 图二:把手可拆卸。

注:产品GH1不带把手和把手锁紧旋钮。

### SET UP:

Note :You must lift up on the lens while tightening the quick release.

#### The tilt knob (P.①)

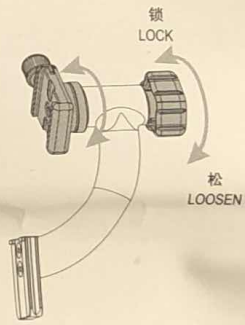
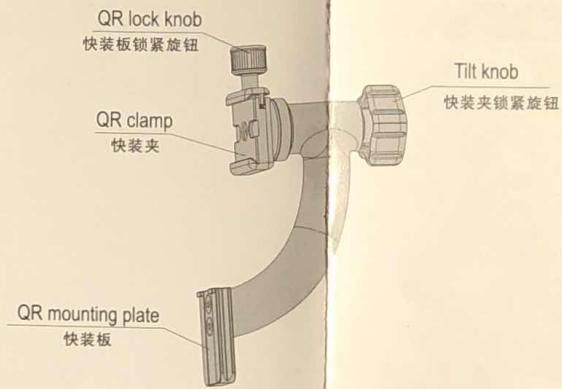
The tilt knob is used to adjusting the vertical rotation direction of the GH1P QR clamp. Tighten the QR clamp by locking the tilt knob in clockwise direction while loosening the QR clamp by loosening the tilt knob in counter-clockwise direction.

#### The panning lock knob(P.②)

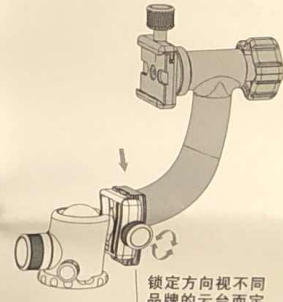
The base mount could be rotated 360 degree by loosening the panning lock knob in counter-clockwise direction. While locking the base mount by locking the panning lock knob in clockwise direction

#### P. 2: Removeable Handle

Note :  
No handle and lock knob attached with GH1



1



2

### 使用方法:

注意:锁紧快装板时必须扶住镜头

#### 图一:快装夹锁紧旋钮的作用

快装夹锁紧旋钮可调整快装夹在垂直方向的360°旋转,顺时针为锁紧GH-A快装夹,逆时针为松开GH-A快装夹。

#### 图二:如何安装

GH-A是固定在球形云台上的,在安全状态下,先把云台快装夹竖直,扭松快装夹锁紧旋钮,然后把GH-A悬臂固定在云台上。

GH-A快装板顶部有2个突出点,这样可以方便的安装到云台上。

GH-A快装板为通用快装板,可兼容所有国际标准化制式的快装夹。

### SET UP:

Note :You must lift up on the lens while tightening the quick release.

#### The tilt knob (P.1)

The tilt knob is used to adjusting the vertical rotation direction of the GH-A quick release clamp. Tighten the quick release clamp by locking the tilt knob in clockwise direction, loosen the quick release clamp by loosening the tilt knob in counter-clockwise direction.

#### How to attach the GH-A (P.2)

The GH-A must be fixed to a ballhead with an Arca-style quick release. Keep the quick shoe of the ballhead upright and then loosen its quick release knob, slide the GH-A into the quick release of your ballhead and lock the knob.

There are two protuberant sides at top of GH-A quick release plate, which could make us easily slide the GH-A to the ballhead.

GH-A quick release plate is universal, it's compatible with all international standards employed by manufacturers of Arca-style QR mounts.

锁紧方向视不同品牌的云台而定  
Lock mechanism may vary depending on brand and model of ballhead