



MASON INDUSTRIES, Inc.

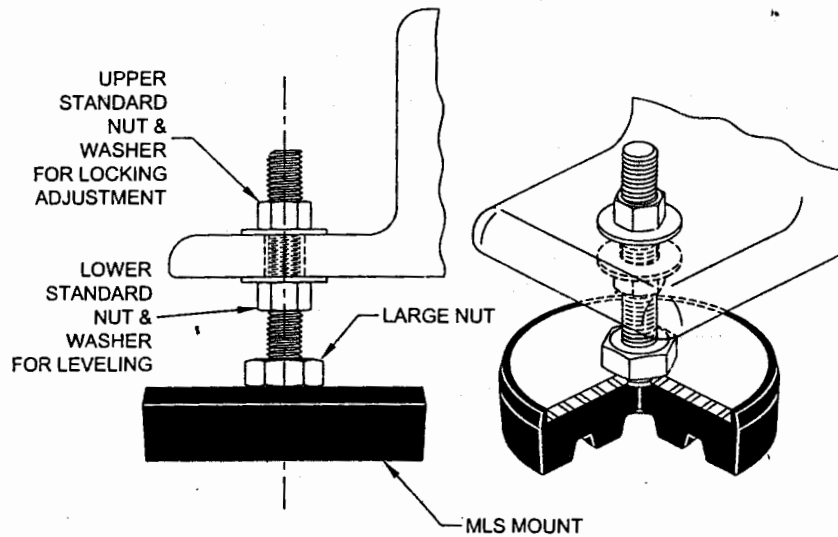
Manufacturers of Vibration Control Products
350 Robro Drive Hauppauge, NY 11788
Tel : 631/348-0282 Fax : 631/348-0279
www.Mason-Ind.com info@Mason-Ind.com

2101 W.Crescent Ave Suite D Anaheim, CA 92801
Tel : 714/535-2727 Fax : 714/535-5738
www.MasonAnaheim.com info@MasonAnaheim.com

MLS MOUNT INSTALLATION INSTRUCTIONS

DATE: 3-12-02

DRAWING No. A-27491



1. Screw stud into mount until it contacts rubber.
2. Tighten large nut against steel top plate to prevent stud from turning.
3. Remove upper standard nut & washer. Run lower standard nut and washer down until just clear of the large nut.
4. Install stud through machine base hole. Use nut under washer to level machine at all mounting locations
5. When machine is level, place second washer over stud, screw standard nut on top to lock adjustment.