

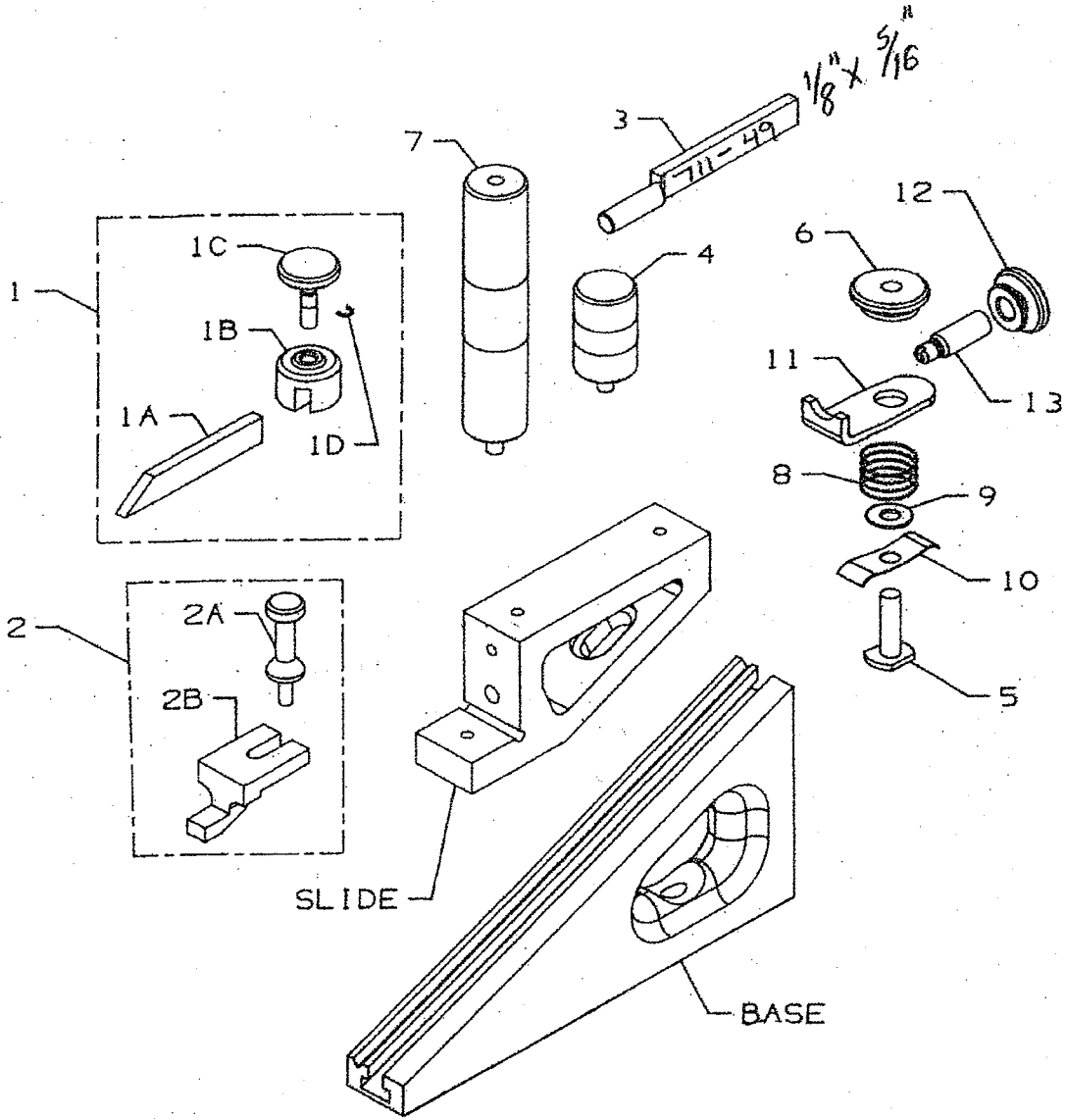
(NOVEMBER 1999)

Starrett

995E

REV. ©

CATALOG 995E UNIVERSAL PRECISION GAGE



CATALOG 995E UNIVERSAL PRECISION GAGE					
DET.	DESCRIPTION	PART NO.	DET.	DESCRIPTION	PART NO.
1	SCRIBER & HOLDER	995B	5	BOLT	8339
1A	SCRIBER	22090	6	NUT	8329
1B	POST	8884	7	BLOCK, 3"	7236
1C	BOLT	8336	8	SPRING	7942
1D	RING, RETAINING	18292	9	WASHER	1786-1/2
2	OFFSET ATTACHMENT	995D	10	SPRING, KEY	8331
2A	BOLT	8338	11	BRACKET	8332
2B	OFFSET	8855	12	NUT	8333
3	INDICATOR ATTACHMENT	<del>7127</del>	13	STUD, ADJUST	8334
4	BLOCK, 1"	3476			

NOTE: SLIDE & BASE ARE NOT REPLACEABLE.

711-49

995E